

Ducting & Transition Boxes

A Full Range of Diameters & Lengths Available



Vacuum formed and aluminum transition boxes, and ducting shown

Specifications

Vacuum-Formed Transitions:

- Opening dimensions are 0.375" (0.95cm) larger than transition size (i.e., 10" X 5" VF has a 10.375" X 5.375" opening. 25.4cm X 12.7cm VF has a 26.4cm X 13.7cm opening).
- Flange to flange dimensions are 1.5" (3.8cm) larger than transition size (i.e., 10" X 5" VF = 11.5" X 6.5" flange to flange. 25.4cm X 12.7cm VF = 29.2cm X 16.5cm flange to flange).
- Depth of 4x VF models is 4.0" (10.2cm) (measured from back of flange).
- Depth of 5x and 6x VF models i.e., either 4.5" (11.4cm) or 5.75" (14.6cm) depending on use of round or obround rings.
- Flange dimensions are 0.5625" (1.43cm) on all sides.

Square Vacuum-Formed Transitions:

- Available in 5.25" and 6.25" (13.34cm and 15.88cm) square vacuum-formed transition boxes.
- Opening dimensions are 0.5" (1.27cm) larger than transition size.
- Flange to flange dimensions are 1.75" (4.4cm) larger than transition size.
- Depth is 0.125" (0.32cm) longer than the transition size.
- Flange dimensions are 0.625" (1.59cm) on all sides.

Vacuum Formed T-Boxes:

- Height of 10,000, 12,000 and 16,000 T-box with mounting flange is 7.875" (20.0cm).
- Height of 7,000 T-box with mounting flange is 6.875" (17.5cm).
- The 10,000, 12,000 and 16,000 T-boxes accommodate 6", 5" and 4" duct rings on one side and 5", 4" and 3" duct rings on the other side (15.2cm, 12.7cm, 10.2cm and 12.7cm, 10.2cm, 7.6cm respectively).

(Continued on reverse side)

Key Benefits

Ducting Design

- Two types of ducting available: round/wire with woven fabric and round/wire and mylar fabric shell with 1.0" (2.6cm) wall thickness insulation.
- Full range of diameters and lengths.
- All ducting attaches easily to associated rings.

Transition Box Design

- Large selection and variety available in aluminum and ABS plastic.
- Air flow designed and tested components.
- Matched to Marine Air Systems' grilles and blowers.
- Non-restrictive air flow.
- All rings designed for close tolerance fit with ducting.
- Perimeter flanges on all boxes for mounting ease.
- Aluminum Style Transitions and Boxes are fully insulated, available in standard and custom sizes, and are ideal for applications where space is limited.

(Continued on reverse side)

- The 7,000 T-box accommodates 5" and 4" duct rings on one side and 4" and 3" duct rings on the other side (12.7cm, 10.2cm and 10.2cm, 7.6cm respectively).

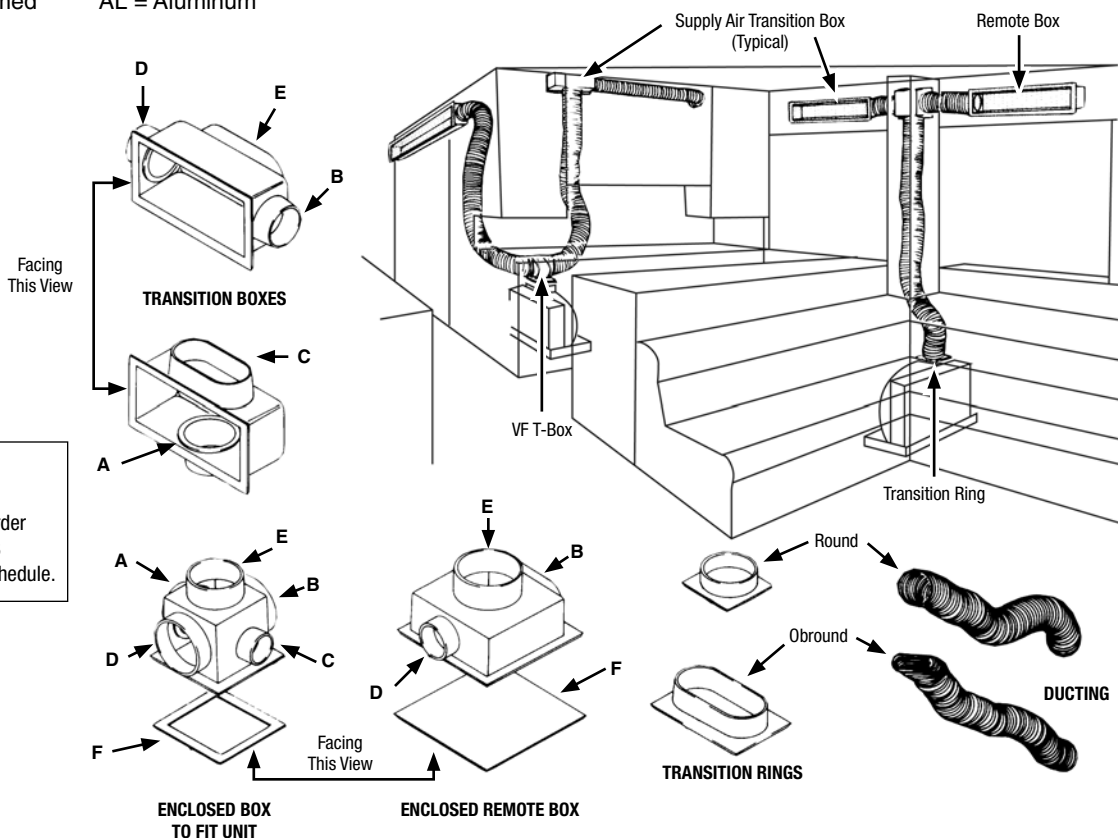
Aluminum Transitions:

- Opening dimensions are 0.25" (0.64cm) larger than transition size (i.e., 10" X 5" AL has a 10.25" X 5.25" opening. 25.4cm x 12.7cm AL has a 26.0cm X 13.3cm opening).
- Flange to flange dimensions are 1.75" (4.4cm) larger than transition size (i.e., 10" X 5" AL = 11.75" X 6.75". 25.4cm X 12.7cm AL = 29.8cm X 17.1cm).
- Depth of AL transition box is 0.25" (0.64cm) longer than the diameter of largest round ring (measured from back of flange).
- Flange dimensions are 0.75" (1.9cm) on all sides.

Oround Rings Dimensions:

- 3" OB = 3.875" X 1.625" (9.84cm X 4.13cm)
- 4" OB = 5.125" X 2.250" (13.02cm X 5.72cm)
- 5" OB = 6.500" X 2.625" (16.51cm X 6.67cm)
- 6" OB = 7.438" X 3.375" (18.89cm X 8.57cm)
- 7" OB = 9.000" X 3.625" (22.86cm X 9.21cm)
- 8" OB = 9.250" X 5.000" (23.50cm X 12.70cm)
- All oround rings are made of ABS plastic, except the 8 OB which is made of aluminum. Add 0.25" (0.64cm) to oround dimensions for minimum box size. All rings are 2.0" (5.1cm) deep.

VF = Vacuum Formed AL = Aluminum



NOTE: Letters denote location of rings when ordering boxes. See order form found in ID: 2163 Marine Air DX price schedule.

Key Benefits (continued)

- Versatile ABS plastic transitions and boxes feature off-the-shelf availability and are vacuum formed for consistent quality.
- ABS plastic T-boxes have insulated mounting pads, unique stepped ring design for flexibility, and feature off-the-shelf availability.

DOMETIC CORPORATION, ENVIRONMENTAL DIVISION
 2000 N. Andrews Ave. Ext. | Pompano Beach, FL 33069 USA | 954-973-2477 | Fax 954-979-4414
 P.O. Box 15299 | Richmond, VA 23227 USA | 804-746-1313 | Fax 804-746-7248
 www.DometicEnviro.com | sales@DometicEnviro.com

United States & Canada Service Only:
 8:00 AM to 5:00 PM Eastern Time | Marine Air AC Products: 954-973-2477
 Cruisair AC Products: 804-746-1313

24/7 AC SERVICE HOTLINE: 5:00PM to 8:00 AM: 888-440-4494

International Sales & Service:
 Europe & the Middle East: Call +44(0)870-330-6101
 For all other areas visit our website to find your nearest distributor.

Dealer:



Air Distribution Components

Grilles, Duct, & Transition Boxes to Complete the A/C System



Supply and return air grilles are available in several wood types, painted aluminum and plastic, and come in a wide range of sizes and configurations

Marine Air and Cruisair offer supply and return air grilles in a wide assortment of dimensions, styles, and materials to complement any yacht's interior. Custom sizes, materials, and colors are available.

The louvres of supply air grilles are secured by nylon bushings for easy and dependable positioning. Return air grilles have fixed louvres. Wood return air grilles have a lint screen which can be removed for cleaning.

Round plastic supply air grilles are offered in several colors and are available with and without shut-off dampers.

Marine Air and Cruisair also offer additional air distribution components, such as duct and transition boxes, to complete the boat air conditioning system. There are two types of duct available: round/wire with woven fabric and round/wire and mylar fabric shell with 1.0 in. (25 mm) thick insulation. A full range of diameters and lengths are available, and all duct attaches easily to duct rings, grilles, and transition boxes.

Transition boxes come in two styles: Fully-insulated aluminum construction and vacuum-formed ABS plastic. Aluminum boxes come in standard and custom sizes and are ideal for applications where space is limited. ABS boxes are off the shell and feature insulated mounting pads and a unique stepped-ring design for flexibility.



Flexible duct is available in a wide range of diameters and lengths.



Vacuum-formed ABS transition boxes have insulated mounting pads and a stepped duct ring design.



Aluminum transition boxes are available in standard and custom sizes and configurations.

Key Benefits

- Supply and return air grilles available in aluminum, plastic, and wood construction in a wide range of sizes and configurations
- Grilles are available in custom finishes, colors, and sizes
- Wood return air grilles have pop-out louvres and easy-to-clean filters
- Wood return air grilles have pop-out louvres and easy-to-clean filters
- Wood supply air grilles have double-deflection, moveable louvres available in anodized bronze or aluminum finish
- Aluminum return air grilles have durable fixed-vane louvres and are available with or without filters
- Aluminum supply air grilles have adjustable louvres to direct air flow
- Durable polyurethane paint finishes available with aluminum grilles
- Transition boxes available in aluminum or vacuum-formed ABS plastic construction and do not restrict airflow
- Aluminum t-boxes are full insulated and ideal for applications where space is limited; standard and custom sizes
- ABS t-boxes have insulated mounting pads and a unique stepped ring design for flexibility

Cruisair[®]

by Dometic GROUP

Grille Sizing by Air Handler BTU/hr Capacity

Capacity (BTU/hr)	Return Air Grille Size (sq. in./sq. cm)	Supply Air Grille Size (sq. in./sq. cm)	Duct Ring Diameter (in./mm)
4000	64/413	32/206.5	4/102
6000	70/451.6	35/225.8	4/102
9000	98/632.3	49/316	6/152
10000	100/645.2	60/387	6/152
12000	130/838.8	70/451.6	6/152
18000	200/1290.4	100/645.2	7/178
24000	240/1548.5	140/903.3	9/229
36000	360/2322.7	196/1264.6	10/254

Return and Supply Air Grilles

Wood Grilles

- Cut-out dimensions are equal to the grille's nominal height and width.
- Outside frame dimensions are 0.9375 in. (± 0.0625) (24 mm (± 2 mm)) larger than nominal grille size.
- Grille depth, as measured from back of frame: Primary supply air grilles (VH models) are 1.375 in. (35 mm), secondary closeable supply air grilles (VML models) are 1.875 in. (48 mm), and return air grilles (RA models) are 0.875 in. (22 mm).
- Frame (flange) dimensions are 0.563 (14 mm) on all sides.

Aluminum Grilles

- Cut-out dimensions for supply air grilles (TH and TV models) and return air grilles without filter (TRA) are 0.375 in. (10 mm) smaller than nominal grille size. Cut-out dimensions for return air grilles with filter (TRAF models) are 0.125 in. (3 mm) smaller.
- Outside frame dimensions for all aluminum grilles are 0.875 in. (22 mm) larger than nominal grille size.
- Grille depth, as measured from back of frame: Supply air grilles are 0.875 in. (22 mm) and return air grilles are 1.0 in. (25 mm).
- Frame (flange) dimensions are 0.625 in. (16 mm) on all sides.

Plastic Grilles (Circular)

- Cut-out dimensions are 2.0 in. (51 mm) for 2SA models (2 in. duct), 3.0 in. (76 mm) for 3SA models (3 in. duct), and 4.0 in. (102 mm) for 4SA models (4 in. duct).
- Grille depth, as measured from back of frame: 2SA models are 1.31 in. (33 mm), 3SA models are 2.16 in. (55 mm), and 4SA models are 2.38 in. (60 mm).
- Frame (flange) diameter is 2.75 in. (70 mm) for 2SA models, 3.875 in. (98 mm) for 3SA models, and 5.50 in. (140 mm) for 4SA models. A special adapter is available to use with the 4SA for 3.0 in. (76 mm) duct.

Transitions

Vacuum-Formed Transitions

- Opening dimensions are 0.375 in. (10 mm) larger than the transition size.
- Flange-to-flange dimensions are 1.5 in. (38 mm) larger than the transition size.
- Depth, as measured from back of flange: 4.0 in. (102 mm) for 4x models, 4.5 (114 mm) or 5.75 in. (146 mm) for 5x and 6x models with round or obround duct rings, respectively.
- Flange dimensions are 0.5625 (143 mm) on all sides.

Square Vacuum-Formed Transitions

- Available in 5.25 in. (134 mm) and 6.25 in. (159 mm) square.
- Opening dimensions are 0.5 in. (13 mm) larger than the transition size.
- Flange-to-flange dimensions are 1.75 in. (44 mm) larger than the transition size.
- Depth is 0.125 in. (3 mm) more than the transition size.
- Flange dimensions are 0.625 in. (16 mm) on all sides.

Vacuum-Formed Transition Boxes

- Height, with mounting flange, for 10,000, 12,000, and 16,000 t-boxes is 7.875 in. (200 mm); 7,000 t-box is 6.875 in. (175 mm).
- The 10,000, 12,000, and 16,000 t-boxes accommodate 6 in. (153 mm), 5 in. (127 mm), and 4 in. (102 mm) duct rings on one side and 5 in., 4 in, and 3 in. (76 mm) duct rings on the other side.
- The 7,000 t-box accommodates 5 in. (127 mm) and 4 in. (102 mm) duct rings on one side and 4 in. and 3 in. (76 mm) duct rings on the other side.

Aluminum Transitions

- Opening dimensions are 0.25 in. (7 mm) larger than the transition size.
- Flange-to-flange dimensions are 1.75 in. (44 mm) larger than the transition size.
- Depth of aluminum transitions is 0.25 in. (7 mm) more than the diameter of the largest round ring, as measured from the back of the flange.
- Flange dimensions are 0.75 in. (19 mm) on all sides.

Obround (OB) Ring Dimensions

- 3 in. ABS (76 mm) OB = 3.875 x 1.625 in. (95 x 42 mm), 2 in. (51 mm) depth
- 4 in. ABS (102 mm) OB = 5.125 x 2.25 in. (130 x 58 mm), 2 in. (51 mm) depth
- 5 in. ABS (127 mm) OB = 6.5 x 2.625 in. (165 x 67 mm), 2 in. (51 mm) depth
- 6 in. ABS (153 mm) OB = 7.438 x 3.375 in. (189 x 86 mm), 2 in. (51 mm) depth
- 7 in. ABS (178 mm) OB = 9.0 x 3.625 in. (223 x 92 mm), 2 in. (51 mm) depth
- 8 in. aluminum (204 mm) OB = 9.25 x 5.0 in. (235 x 127 mm), 2 in. (51 mm) depth

DOMETIC MARINE DIVISION

2000 N. Andrews Ave. Ext. | Pompano Beach, FL 33069 USA | Tel. 954-973-2477 | Fax: 954-979-4414
www.Dometic.com/Marine | MarineSales@DometicUSA.com

24/7 TECH SUPPORT FOR UNITED STATES & CANADA:

8:00 AM to 5:00 PM Eastern Time: 800-542-2477
After hours and weekends: 888-440-4494

INTERNATIONAL SALES & SERVICES

Europe & the Middle East: Call +44(0)870-330-6101
For all other areas visit our website to find your nearest distributor.

Dealer

